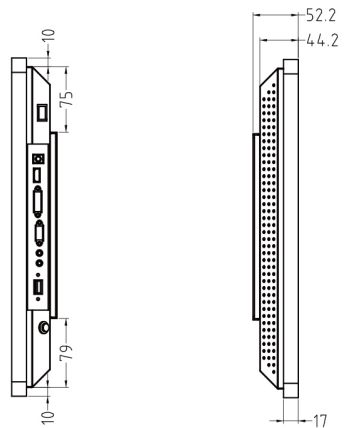
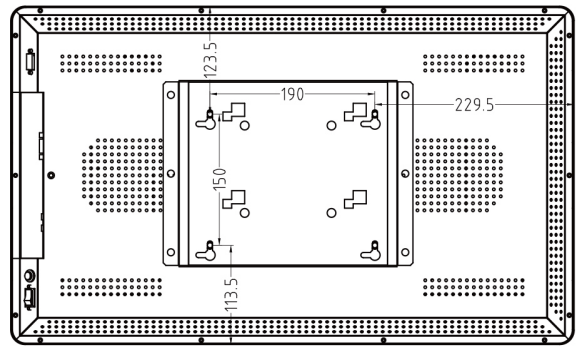
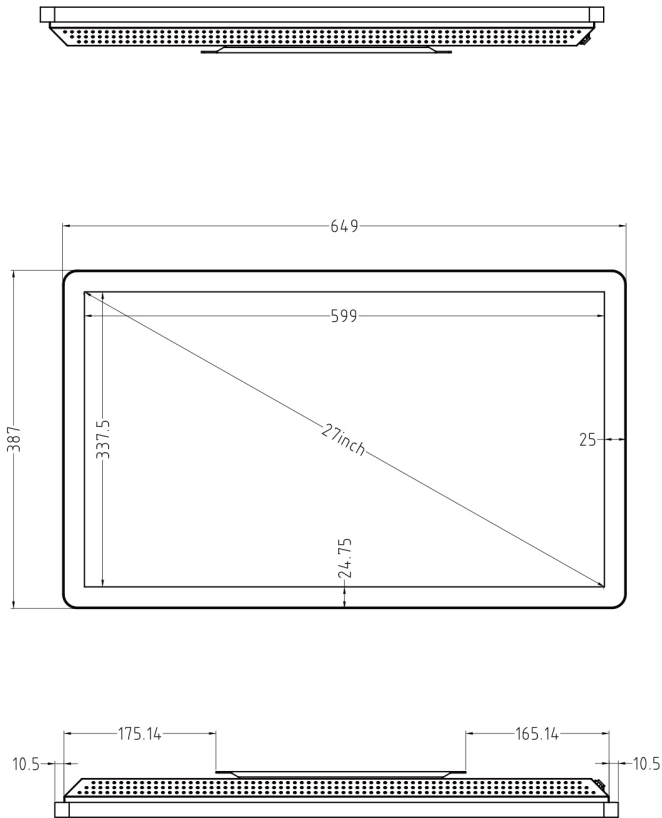




FHD display  
pure and natural color

Sheet metal Chassis  
corrosion and oxidation resistance



## LCD Panel

IP Rating	IP65 Front
Screen diagonal	27inch
Display active screen size	599(W)*337.5 (H)
Aspect ratio	16:9
Physical resolution	1920*1080
Colours displayed	16.7M
Brightness (cd/m2)	250
Contrast	1000:1
Visual Angle H/V (°)	175/175
Backlight Lifetime (hours)	LED / 30,000

## Touch Panel

Touch Technology	Projected Capacitive 10-Point Multitouch
Touch Connector	USB
Surface Hardness	7h

## External Connectors

12v DC IN	x1	HDMI IN	x1
USB	x1	VGA	X1
Audio I/O	x1		

## Power

Power Supply	100-240V AC;
Working Power (V)	12
Power Consumption (W)	<20
Stand-By Consumption (W)	<1

## Operation

Operating Temperature (°C)	0°C-50°C
Humidity Range (RH)	0% - 90%
Net weight (kg)	9.7kg
Gross weight (kg)	15.6kg
Housing material	Sheet Metal
Housing (mm) L × W × H	648*387*44.2
Mounting	100*100

## Included in the Delivery

Manual	x1	Power Supply	x1
Wall mount bracket	x1	USB CABLE+HDMI CABLE	X1

## Installation

