

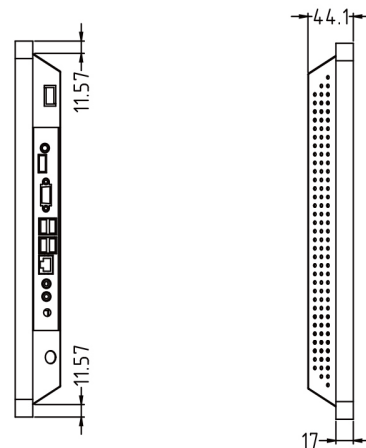
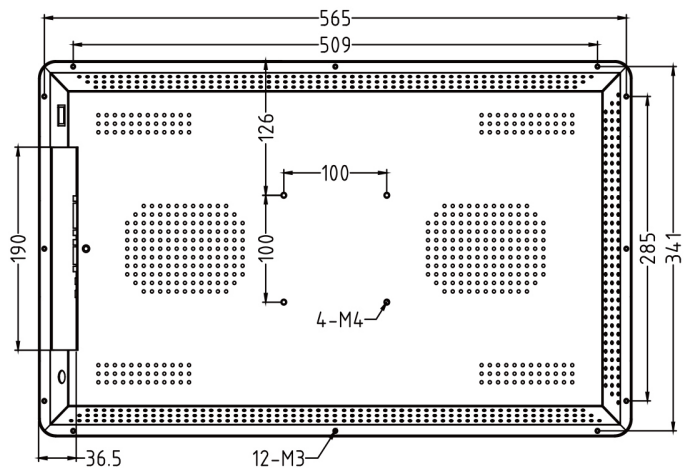
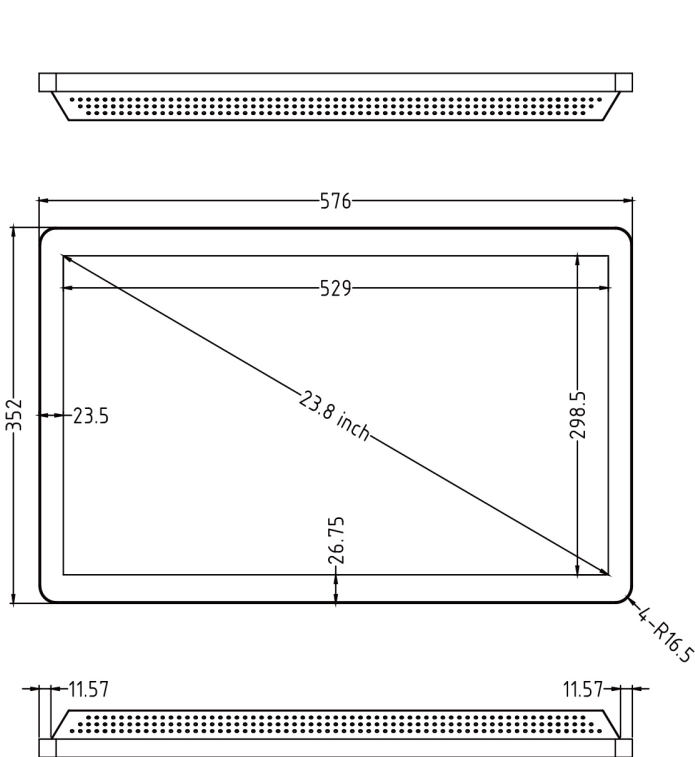
23.8" Touch PC

TU238



FHD display
pure and natural color

Industrial Touch Panel
Self-developed TP-ilitek & EETI



X86 system

CPU	Intel® Celeron® Processor J4125	Intel core i3/i5/i7 optional
Graphic GPU	Intel® UHD Graphics	Intel® UHD Graphics
Audio	HD Audio	HD Audio
Memory	Netac-DDR4-2666MHz-SODIMM-8G	8G Optional
Storage	Foresee mSATA-128GB	32GB/64GB/256GB/512GB
Network	WIFI-NE238H-2.4G	Wifi 5G/BLE 5.1 optional
Pre-installed OS	Windows 10 Enterprise 2019 LTSC	Windows 10 Enterprise 2019 LTSC

LCD Panel

IP Rating	IP65 Front
Screen diagonal	23.8inch
Display active screen size	529(W)*298.5 (H)
Aspect ratio	16:9
Physical resolution	1920*1080
Colours displayed	16.7M
Brightness (cd/m ²)	250
Contrast	1000:1
Visual Angle H/V (°)	175/175
Backlight Lifetime (hours)	LED / 30,000

Operation

Operating Temperature (°C)	0°C-50°C
Humidity Range (RH)	0% - 90%
Net weight (kg)	7.98kg
Gross weight (kg)	10.2kg
Housing material	Sheet Metal
Housing (mm) L × W × H	576*352*44.1
Mounting	100*100

Touch Panel

Touch Technology	Projected Capacitive 10-Point Multitouch
Touch Connector	USB
Surface Hardness	7

Power

	PC Spec
Power Supply	DC 12v
Power Consumption (W)	<60
Stand-By Consumption (W)	<1

External Connectors For PC

Power Jack	x1	HDMI Out	x1
VGA	x1	USB 3.0	X1
RJ45 Ports	x1	Audio I/O	x1
USB 2.0	X3	COM optional	X2

Included in the Delivery

Manual&Remote Controller	x1	Power Supply cable	x1
Wall mount bracket	x1	WIFI antenna	X1

Installation

