

13.3" Touchscreen for Android

JU133

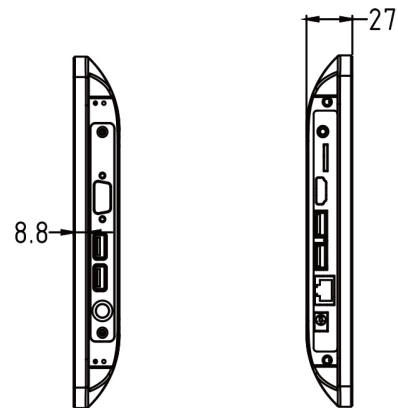
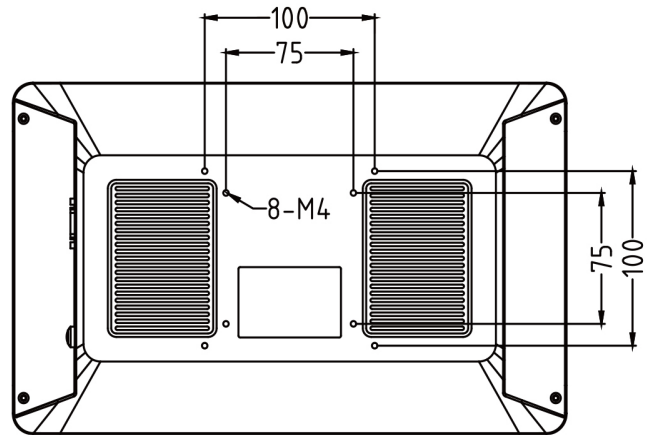
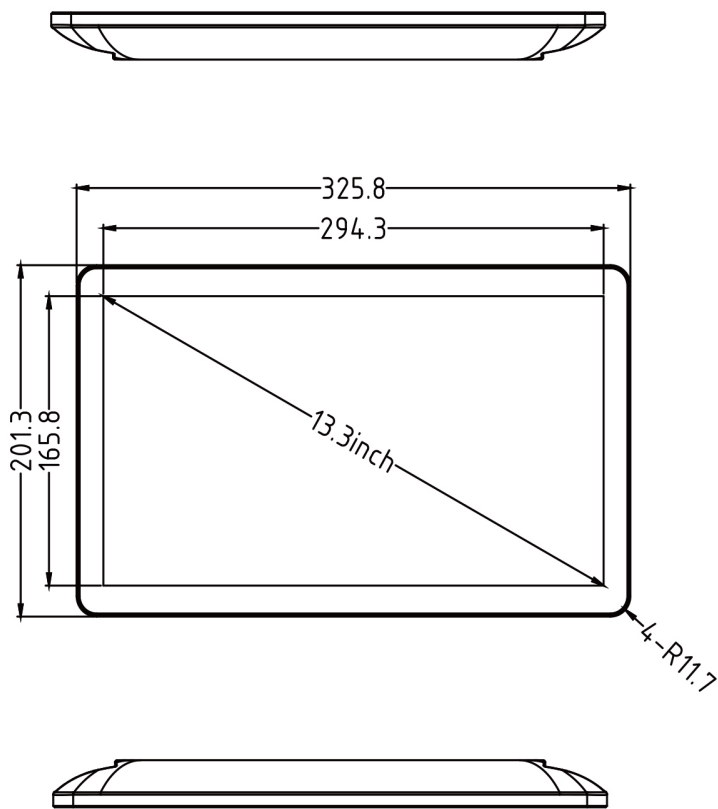


Multiple I/O

HDMI/USB/LAN/COM

Full Aluminum Chassis

corrosion and oxidation resistance



PC System

CPU	Rockchip RK3568	Rockchip RK3288	Rockchip RK3399
Graphic GPU	ARM G52 2EE	Mali-T764	PowerVR G6110
Audio	-	-	-
Memory	2G (4G optional)	2G (4G optional)	2G (4G optional)
Storage	16G/32G eMMC	16G/32G eMMC	16G/32G eMMC
Network	10/100M RJ45, 802.11a/b/g/n Wifi	10/100M RJ45, 802.11a/b/g/n Wifi	10/100M RJ45, 802.11a/b/g/n Wifi
Pre-installed	Android 11	Android 9	Android 9

LCD Panel

IP Rating	IP65 Front
Screen diagonal	13.3inch
Display active screen size (mm)	294.3 (W)*165.8 (H)
Aspect ratio	16:9
Physical resolution	1920*1080
Colours displayed	16.7M
Brightness (cd/m2)	250
Contrast	1000:1
Visual Angle H/V (°)	175/175
Backlight Lifetime (hours)	LED / 30,000

Power

Power Supply	100-240V AC;
Working Power (V)	12
Power Consumption (W)	<25
Stand-By Consumption (W)	<1

Internal Connectors

USB2.0 (In-board pins)	x 3	Pin for Headphone	x1
DB9 (TTL)	X3	Pin for 12V power	x1
Pin for Mic	x1	Pin for Speaker(1W/8Ω)	x1
Pin for Remote	x1	Pin for GPIO	x1
Pin for Button	x1	Sim Card slot	optional

External Connectors

12v DC IN	x1	HDMI out	x1
OTG USB	x1	USB	X3
RJ45 Ports	x1	Tf card slot	x1
Headphone	x1	DB9 (TTL)	*1

Operation

Operating Temperature (°C)	0°C-50°C
Humidity Range (RH)	0% - 90%
Net weight (kg)	1.4kg
Gross weight (kg)	2.75kg
Housing material	Aluminum
Housing (mm) L × W × H	325.8*201.3*27
Mounting	75*75/100*100

Touch Panel

Touch Technology	Projected Capacitive
Touch Connector	USB
Surface Hardness	7

Included in the Delivery

Manual	x1	Power Supply	x1
Wall mount bracket	x1	WIFI antenna	X1

Installation

