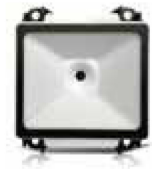


32" Touch Screen Kiosk |

GU32C



Barcode Reader



NFC RFID



Thermal Printer



4G LTE



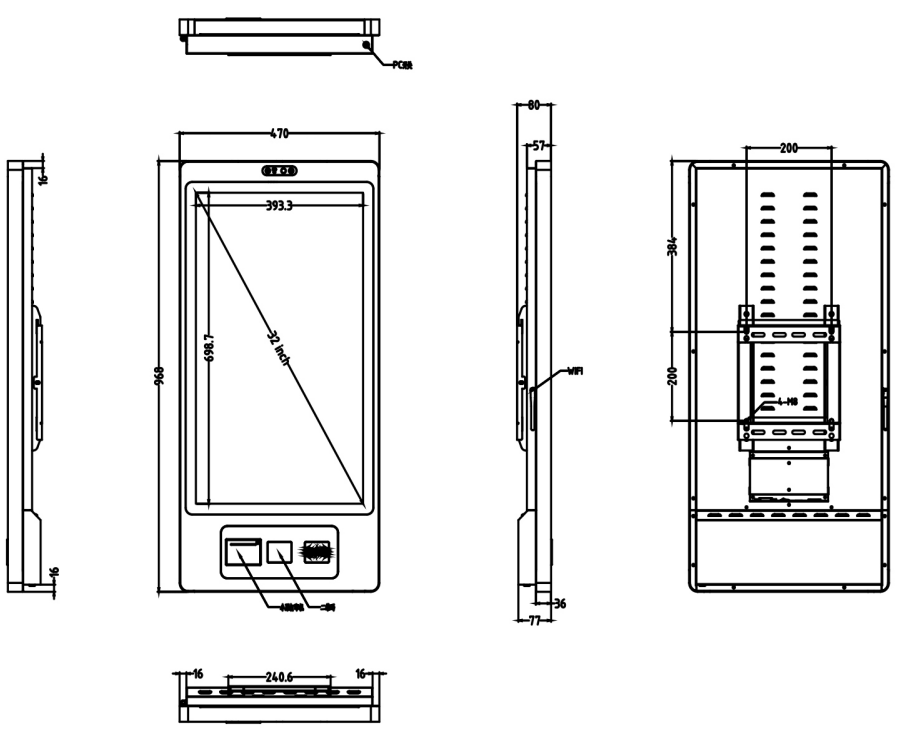
Finger Print Sensor



Camera

**Multiple Peripherals
Optional**

Free customization



Windows/Linux

CPU	Intel Celeron® J4125
Graphic GPU	Intel® UHD Graphics
Audio	HD Audio: ALC897
Memory	8GB DDR4
Storage	Foresee mSATA-128GB
Network	WIFI-NE238H-2.4G

Pre-installed OS	Windows 10 Enterprise 2019
------------------	----------------------------

External Connectors

12v DC IN	x1	HDMI	x1
COM RS232	x1	USB 3.0	X1
RJ45 Ports	x1	F_Mic	x1
F_OUT	x1	USB 2.0	X3

LCD Panel

Screen diagonal	32inch
Display active screen size (mm)	698.7*393.3
Aspect ratio	16:9
Physical resolution	1920*1080
Colours displayed	16.7M
Brightness (cd/m2)	250
Contrast	1000:1
Visual Angle H/V (°)	175/175
Backlight Lifetime (hours)	LED 15,000

Power

Power Supply - Adapter	100-240V AC
Working Power (V)	12
Power Consumption (W)	<80
Stand-By Consumption (W)	<1

Android

CPU	Rockchip RK3568
Graphic GPU	ARM G52 2EE
Audio	-
Memory	2G (4G optional)
Storage	16G/32G eMMC
Network	10/100/1000M RJ45, 802.11a/b/g/n Wifi

Pre-installed OS	Android 11
------------------	------------

External Connectors

12v DC IN	x1	HDMI out	x1
RS232	x1	USB 3.0	X1
RJ45 Ports	x1	USB 2.0	X1
Audio	x1		

Touch Panel

Touch Technology	Projected Capacitive
Touch Connector	USB
Surface Hardness	7h

Operation

Operating Temperature	0°C-50°C
Humidity Range (RH)	10% - 80%
Net weight (kg)	18kg
Gross weight (kg)	28kg
Housing material	Sheet Metal
Housing (mm) L * W * H	470*968* 77
Mounting	200*200

Included in the Delivery

Manual	x1	Power Supply	x1
Wall mount bracket	x1	WIFI antenna	X1