

21.5" Touchscreen for Android

DU215B

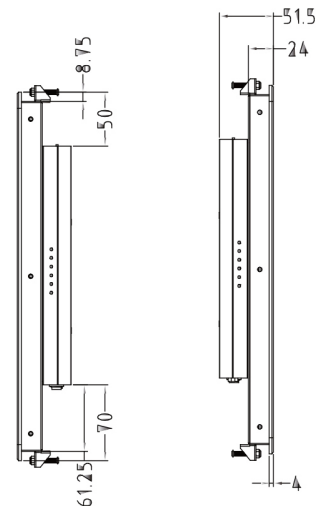
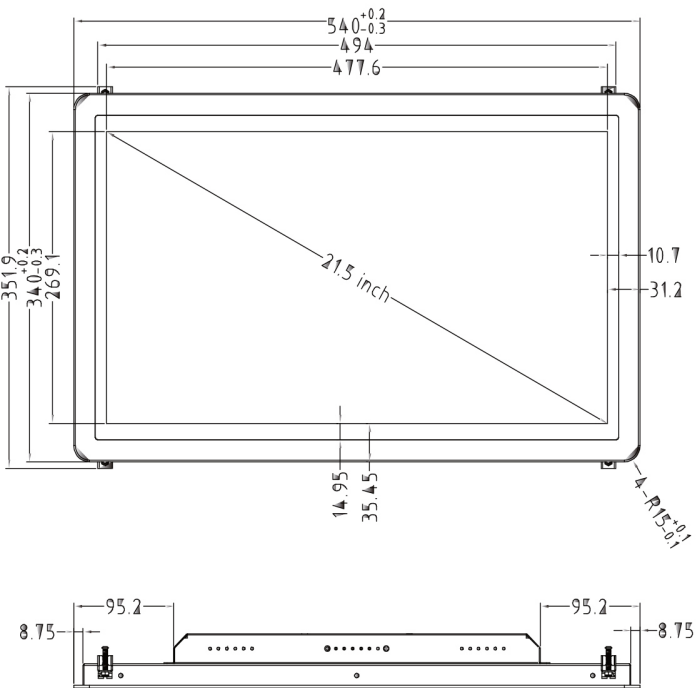
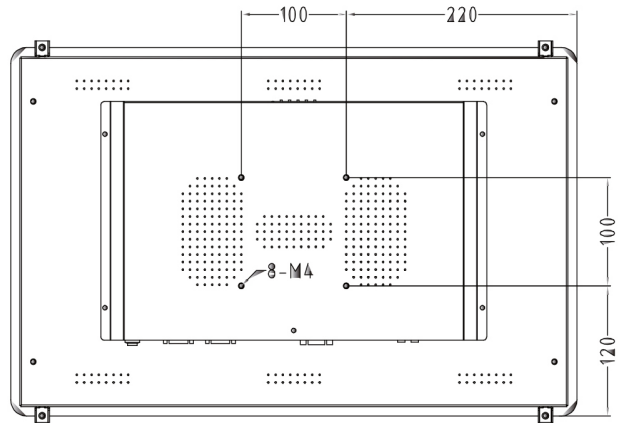
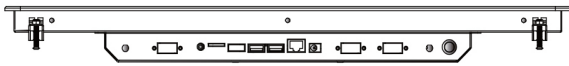


Multiple I/O

HDMI/USB/LAN/COM

Robust Chassis

corrosion and oxidation resistance



PC System

CPU	Rockchip RK3568	Rockchip RK3288	Rockchip RK3399
Graphic GPU	ARM G52 2EE	Mali-T764	PowerVR G6110
Audio	-	-	-
Memory	2G (4G optional)	2G (4G optional)	2G (4G optional)
Storage	16G/32G eMMC	16G/32G eMMC	16G/32G eMMC
Network	10/100M RJ45, 802.11a/b/g/n Wifi	10/100M RJ45, 802.11a/b/g/n Wifi	10/100M RJ45, 802.11a/b/g/n Wifi
Pre-installed	Android 11	Android 9	Android 9

LCD Panel

IP Rating	IP65 Front
Screen diagonal	21.5inch
Display active screen size (mm)	269.1(W)*477.6(H)
Aspect ratio	16:9
Physical resolution	1920*1080
Colours displayed	16.7M
Brightness (cd/m2)	250
Contrast	1000:1
Visual Angle H/V (°)	175/175
Backlight Lifetime (hours)	LED 30,000

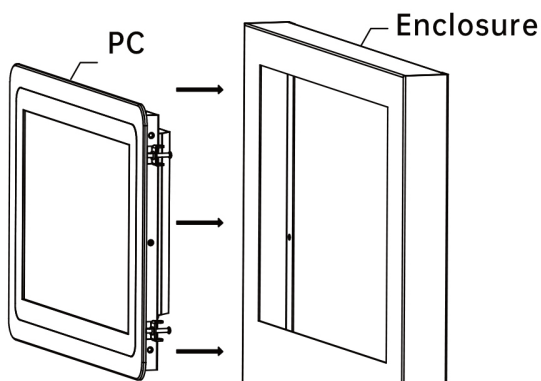
Power

Power Supply	100-240V AC;
Working Power (V)	12
Power Consumption (W)	<36
Stand-By Consumption (W)	<1

External Connectors

12v DC IN	x1	HDMI out	x1
OTG USB	x1	USB	X1
RJ45 Ports	x1	Tf card slot	x1
Headphone	x1	DB9 (TTL)	optional

Installation



Step 1: Settle the PC from outside to inside of the enclosure.

Operation

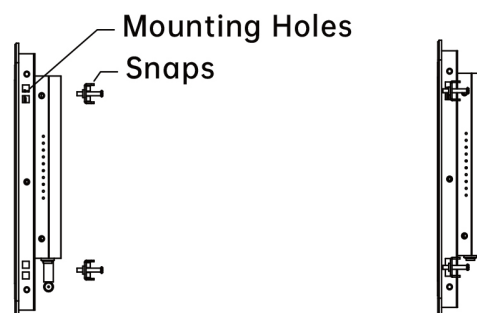
Operating Temperature (°C)	0°C-50°C
Humidity Range (RH)	0% - 90%
Net weight (kg)	5.4kg
Gross weight (kg)	7.6kg
Housing material	Sheet Metal
Housing (mm) L × W × H	540*340*51.5
Mounting	100*100

Touch Panel

Touch Technology	Projected Capacitive
Touch Connector	USB
Surface Hardness	7

Included in the Delivery

Manual	x1	Power Supply	x1
Settling Snaps	X4	WIFI antenna	X1



Step 2: Fix the snaps on the mouting holes of the PC ,and tighten the snaps with screwdriver.