

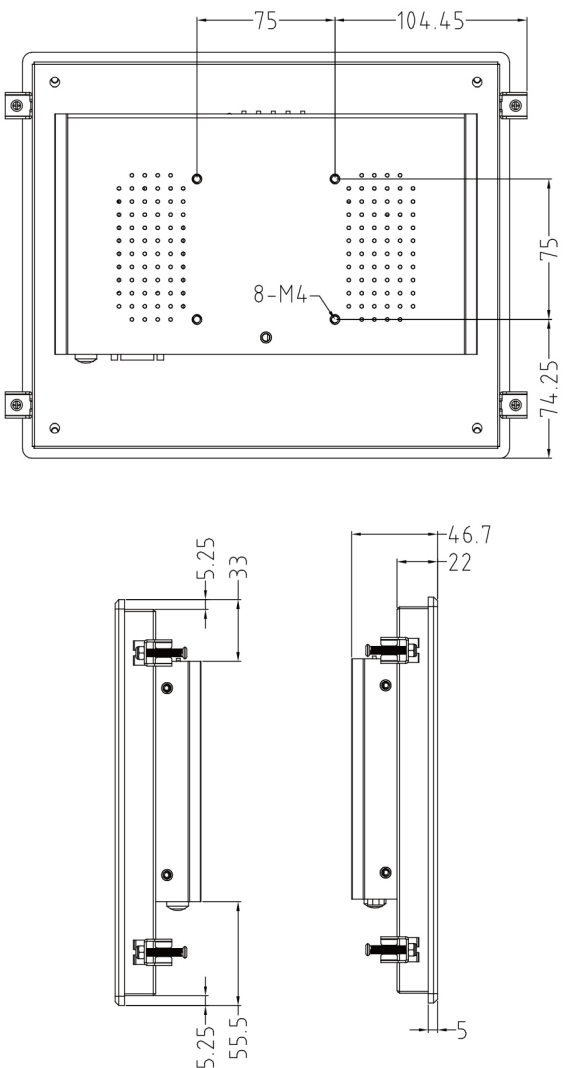
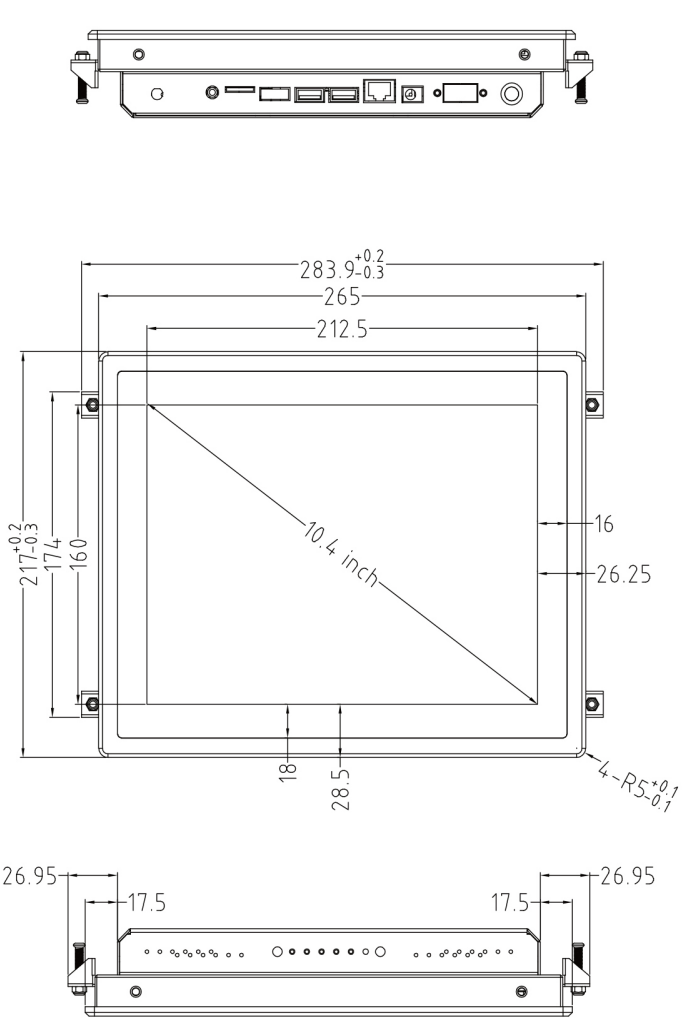
# 10.4" Touchscreen for Android

DU104B



**Multiple I/O**  
HDMI/USB/LAN/COM

**Robust Chassis**  
corrosion and oxidation resistance



## PC System

CPU	Rockchip RK3568	Rockchip RK3288	Rockchip RK3399
Graphic GPU	ARM G52 2EE	Mali-T764	PowerVR G6110
Audio	-	-	-
Memory	2G (4G optional)	2G (4G optional)	2G (4G optional)
Storage	16G/32G eMMC	16G/32G eMMC	16G/32G eMMC
Network	10/100M RJ45, 802.11a/b/g/n Wifi	10/100M RJ45, 802.11a/b/g/n Wifi	10/100M RJ45, 802.11a/b/g/n Wifi
Pre-installed	Android 11	Android 9	Android 9

## LCD Panel

IP Rating	IP65 Front
Screen diagonal	10.4inch
Display active screen size (mm)	212.5 (W)*160 (H)
Aspect ratio	4:3
Physical resolution	1024*768
Colours displayed	16.7M , 60% NTSC
Brightness (cd/m2)	250
Contrast	1000:1
Visual Angle H/V (°)	175/175
Backlight Lifetime (hours)	LED / 30,000

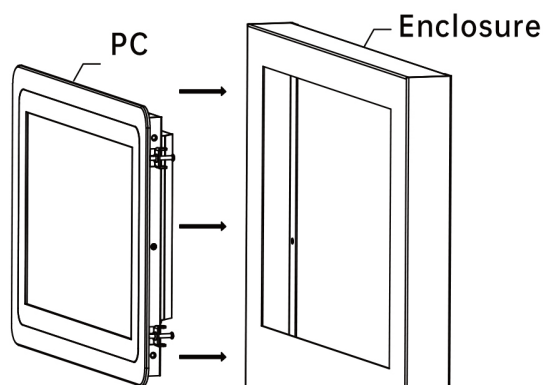
## Power

Power Supply	100-240V AC;
Working Power (V)	12
Power Consumption (W)	<25
Stand-By Consumption (W)	<1

## External Connectors

12v DC IN	x1	HDMI out	x1
OTG USB	x1	USB	X1
RJ45 Ports	x1	Tf card slot	x1
Headphone	x1	DB9 (TTL)	optional

## Installation



**Step 1: Settle the PC from outside to inside of the enclosure.**

## Operation

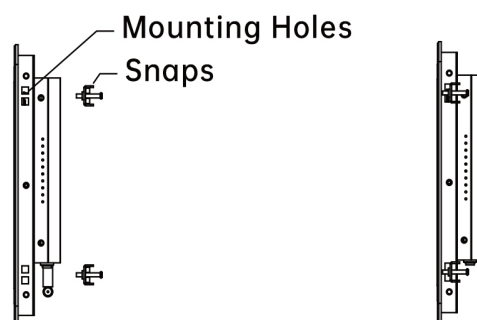
Operating Temperature (°C)	0°C-50°C
Humidity Range (RH)	0% - 90%
Net weight (kg)	1.7kg
Gross weight (kg)	2.2kg
Housing material	Sheet Metal
Housing (mm) L × W × H	265*217*46.7
Mounting	75*75

## Touch Panel

Touch Technology	Projected Capacitive
Touch Connector	USB
Surface Hardness	7

## Included in the Delivery

Manual	x1	Power Supply	x1
Settling Snaps	X4	WIFI antenna	X1



**Step 2: Fix the snaps on the mounting holes of the PC ,and tighten the snaps with screwdriver.**