

# 5" Touchscreen Monitor |

DU050B

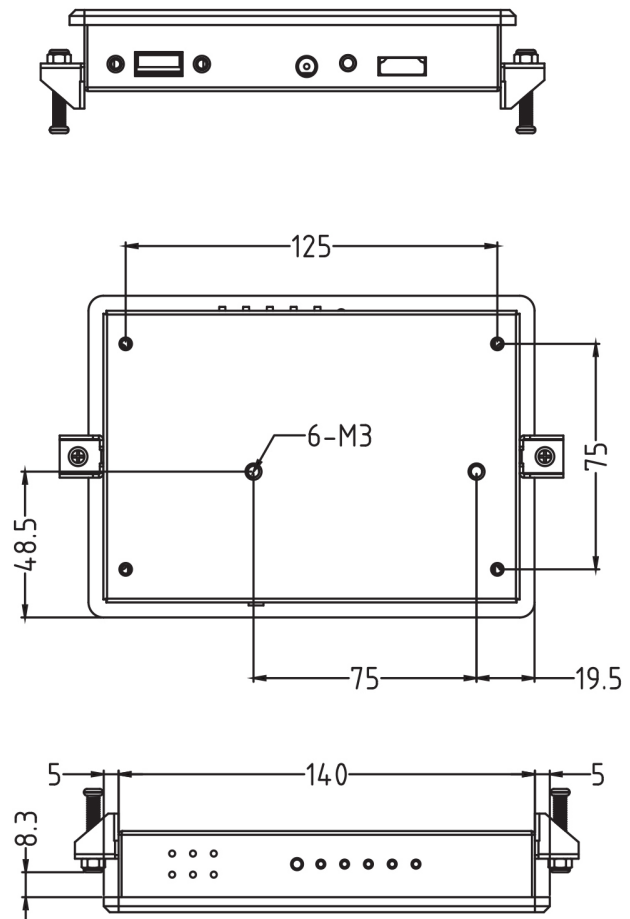
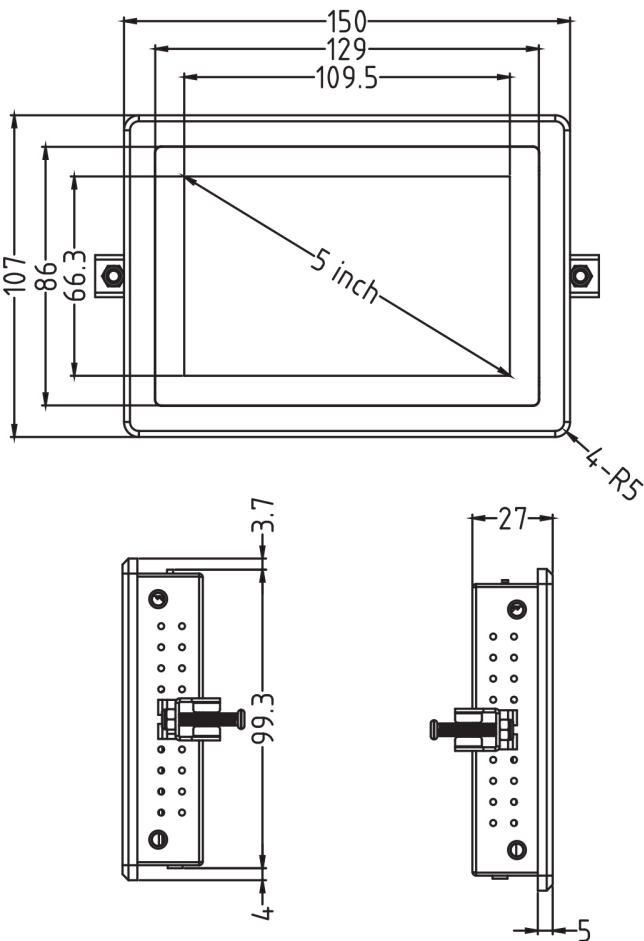


## Robust Built

3mm Tempered Glass + 6mm Aluminum Frame

## Sheet metal Chassis

corrosion and oxidation resistance



## LCD Panel

IP Rating	IP65 Front
Screen diagonal	5inch
Display active screen size	109.5(W)*66.3 (H)
Aspect ratio	5:3
Physical resolution	800*480
Colours displayed	16M , RGB - 40 Pins
Brightness (cd/m2)	≥250cd/m2
Contrast	1000:1
Visual Angle H/V (°)	70/70/70/70 (Typ.)(CR≥10)
Backlight Lifetime (hours)	LED / 30,000

## Touch Panel

Touch Technology	Projected Capacitive 10-Point Multitouch
Touch Connector	USB
Surface Hardness	7h

## External Connectors

12v DC IN	x1	HDMI IN	x1
USB	x1	Audio	x1

## Operation

Operating Temperature (°C)	0°C-50°C
Humidity Range (RH)	10% - 80%
Net weight (kg)	0.479KG
Gross weight (kg)	0.9kg
Housing material	Sheet Metal
Housing (mm) L × W × H	150*107*27
Mounting	125*75

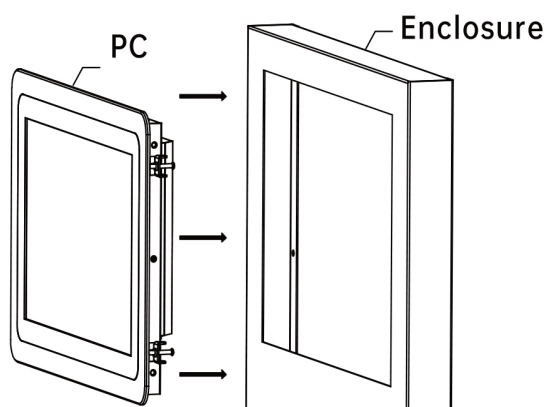
## Power

Power Supply	100-240V AC;
Working Power (V)	12
Power Consumption (W)	<20
Stand-By Consumption (W)	<1

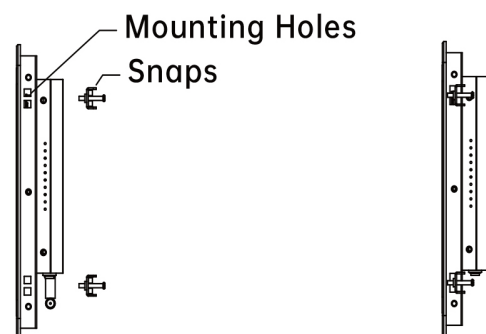
## Included in the Delivery

Manual	x1	Power Supply	x1
Mounting Snaps	X4	USB CABLE+HDMI CABLE	X1

## Installation



**Step 1: Settle the PC from outside to inside of the enclosure.**



**Step 2: Fix the snaps on the mounting holes of the PC ,and tighten the snaps with screwdriver.**